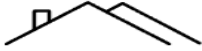


STONEPARK

SCREW-ON

TECHNICAL DATA SHEET & INSTALLATION GUIDE

Stonepark Screw-On is a local *Canadian* company that prides itself on premium quality products that are manufactured and supplied to our customers.



Building Code

Before installing Stonepark Screw-On please check with your cities building officials for all the code requirements as they vary by city and province.

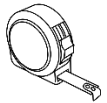


Weight & Thickness

Weight and thickness vary depending on the style. Stonepark Screw-On average weight per sqft is 8 lbs-13 lbs., thickness measures from 1"-2".

Stone Sizes

The length and width of Stonepark Screw-On should be sized to a tolerance of $\pm 0"$ - $\pm 3/16"$



Basic Use & Limitations

Products are suitable for residential and commercial projects. Stonepark Screw-On do not require brick ledges or structural footing support. Stonepark Screw-On should not be used below water level as chemicals may discolor product. The use of paving application is prohibited.



Colors

Stonepark Screw-On uses the best coloring (iron oxide) and stone base mixture to give the best quality and durability. Colors may appear brighter and stronger on newly manufactured stones due to surface dust and curing time. Depending on weather and environment, curing process may take up to 12 months for colors to set to the original color.



Surface Dust

Surface dust occurs on highly pigmented/colored stones. As mentioned, Stonepark uses an organic iron oxide, when you receive your newly manufactured stone, you may notice some dusty coloring coming off the surface of the stone. This is a result of excess pigmentation, as the cement dries in production the coloring (iron oxide) is being absorbed by the cement. The cement has a certain absorption limit to suck in the pigment. Once it reaches the absorption limit the rest of the pigment stays on the surface of the stone and we call this surface dust. It takes time for it to wash off naturally or if you choose to, you may wash the stone 3-4 times manually. Every time it is washed, the color coming off will lessen and it will reach to a point that won't come off no more and original color will stay on the stone.



CSA/ASTM Codes

Stonepark Screw-On are manufactured to CSA and ASTM standards.

- ASTM E 84
- AC90/ASTM C 1185
- ASTM E 330
- ASTM C 666/ASTM C 67
- AC90
- AC51/ASTM C 67
- AC90/ASTM C 1185
- ASTM C 567

Application Materials & Tools



- Stonepark Screw-On Stone Veneer
- Galvanized or Corrosion-Resistant Screws
- Diamond blade or Wet saw
- Safety boots/shoes
- Gloves
- Chalk or Carpenter's pencil
- Mask
- Dust reduction and reduction tools
- Level or Laser Level
- Nylon Bristle Brush
- Water Hose
- Bucket Sponge
- Tape Measure
- Screwdriver/Drill
- Hearing protection
- Eye Protection
- Grinder; metal cutting blade

Determine the Area

Before you begin you need to determine how much product you need. The calculations should be exact with 5%-10% for waste and cut offs. Keep in mind each stone style covers area differently for both corners and flats.

1. Flats (SQFT): $L \times W = \text{Total sqft.}$



2. Subtract Openings: Door/Window $L \times W = \text{Opening Area sqft}$



3. Total SQFT – Open Area = $\text{Actual SQFT (Flats required)}$



4. Measure length of Corners = $\text{Wall Area Covered by Corners (WACC) in Inft}$



5. $\text{Actual SQFT} - \text{WACC} = \text{Net SQFT of Flats Required}$

Stonepark Screw-On Corner

Stonepark Screw-On corners are textured on each end, which will differ from the flat Screw-On Stones. The textured Screw-On finish will be used for all outside corners.

To determine the height of the Screw-On corners that will be needed, divide the height by 6 (height of a corner Screw-On is 6 inches). The result indicates the number of corner Screw-On stones needed for your project.

Galvanized or Corrosion-Resistant Screws

- Stonepark Inc is not liable for the durability and integrity of the chosen screws.
- The size of the screw **must** be **#10**.
- The minimum insertion of the screw is 1 ¼ “into the plywood. The length of the screw may vary in accordance to the plywood.

Starter Strips

Metal or PVC drip-edge flashing is required, which will be used as a starter strip. Any suitable generic drip-edge flashing can be used with Stonepark Screw-On System.

TERMINOLOGY

Weather Resistant Barrier (WRB): There are different types of WRB served for the same purpose it is to water proof sheathing/substrate. Please refer to manufacture’s specs as each WRB system differs.

Galvanized Metal Lath: To hold the materials in place to the sheeting and make the bond stronger.

Space Guide: Above the screw hole, you will see 2 thin vertical metal pieces. This part is the top of the metal clip and is called Space Guide.

Screw Extension: Upper side of the metal clip with screw hole, extends out from the stone.

Bottom extension: Bottom extension of the metal clip that guides your stone by sliding into the stone below.



Installation

Preparation Work

- For all exterior application ensure the surface is properly water proofed. Please ensure you are following the installation instructions in line of the manufacturers and the requirements of the cities building code. (Not required for interior installation).
- Open all boxes and spread out Stonepark Screw-On at the jobsite giving you a better visual of the stone style and colors to choose from.
- Stonepark Screw-On stone **must** be installed on a min ½” plywood.
- Stonepark Screw-On stone cannot be installed all the way down to the ground, ensure you leave a 6” space from the ground. (Applies only for outdoor application).
- Installations exceeding 30 feet in height **must** be approved by a design professional.

Installing Accessories

- Before installing your Stonepark Screw-On products, if you are using any of accessories, you will need to plan out where they will go. Since Stonepark Screw-On accessories does not have metal clips, they need to be fastened with suitable adhesive.
- Around the desired section where your accessory will be installed, you must place galvanized metal lath with corrosion resistant nails or screws.
- You can then start installing your Stonepark Screw-On materials, and make necessary cuts around the area where your accessory will go.
- Once all your Stonepark Screw-On stones are installed, you will then use a ¾” thick suitable adhesive to install your accessory.

General Installation

- Always install your corner stones first, then apply flats working from bottom up. Be extra careful to keep your lines straight and leveled, check every few rows up.
- To avoid vertical lines, the Stonepark Screw-On stones must be installed overlapping the “joint” from the previous layer.
- Every metal clip must be screwed to the wall. Skipping clips is highly prohibited.
- As part of the installation process, stones will need to be cut to fit. If the space is only enough to fit 1 metal clip, the stone needs to be cut and the metal clip needs to be in the center of the cut piece. **Ex; If you need a 6” long piece of Stonepark Screw-On stone, the metal clip must be in the center at 3” from each side.**
- Any cut-stone that is longer than 12” **must** have 2 metal clips attached.

Installing Corners & Columns

- Ensure the WRB is properly installed at the corners as per manufacturer’s specs.
- The stones with finished edges are your corner pieces.
- Cut the stones as needed, once the stone is cut, use the finished edge to face out and the cut-stone side to join the other stone.
- For inside corners for aesthetic purposes, you may use a hand grinder to flatten the surface.

Finishing the wall

- Once you get to the last row, to finish off your wall, you will need to horizontally cut the stone as needed (make sure to use the bottom half of the cut-stone) to fit to the space. Bottom extension of the metal clip behind the stone can be cut if needed. The last row cut-stone must be fastened using suitable adhesive. If building paper used as WRB, galvanized metal lath must be installed with corrosion resistant nails or screws (washers as necessary) every 16” to the framing.
- Apply adhesive to the metal clip. Make sure complete back of the metal clip has been covered with adhesive and minimum ¼” thick. We also recommend to add more adhesive to the back of the stone ¾” thick every 4” to have extra bond.

Installing Stonepark Screw-on Sill:

- If the design of the wall does not have enough space for the screw extension of the metal clip. This extension can be cut. In this case sill must be fastened using suitable adhesive. If building paper used as WRB, galvanized metal lath must be installed with corrosion resistant nails or screws (washers as necessary) every 16" to the framing. Make sure complete back of the metal clip has been covered with adhesive and minimum ¼" thick. Installer **MUST** add more adhesive to the back of the sill minimum ¾" thick every 4" to have extra bond.

Completion

- Blow away any dust left on the stone, from the cutting with a diamond blade and use a damp sponge to wipe off the stone, the dust may stain the stone if not removed.

Maintenance



Like natural stone, manufactured stone requires a little maintenance. Exterior applications where excessive dust or dirt accumulates should be washed with water occasionally. An annual inspection is recommended.

Cleaning



With a soft bristle brush use warm water, then rinse immediately with fresh water (multiple times if necessary). Do not use acid-based or wire brushes, nor pressure wash Stonepark Screw-On products.

Efflorescence



A natural occurrence in all cementitious products, which is a white powdery deposit that may appear on exterior masonry applications. This indicates there is excessive moisture in the wall or can be caused by de-icing chemicals. However, Stonepark Screw-On are manufactured with special key ingredients that help reduce the occurrence of efflorescence. To prevent efflorescence, you may seal the stone after installation which will make the occurrence of efflorescence to a minimal. In the event of efflorescence occurs, efflorescence cleaner that can be used.

Sealers



Sealers are recommended if installing near wet/damp areas which are prone for efflorescence to occur due to excessive moisture, like a kitchen, bathrooms, pools, etc. However, sealers are not required with dry surfaces. If efflorescence does occur, clean the stone and seal the product. Be cautious, depending on the type of sealer you use it may change the appearance of your stone. If you choose to seal your stone, we advise you to test your sealer on any extra stones or cut offs you may have after installation and allow it to dry for 24 hours to see the final outcome prior to sealing everything.

Touch-Up



For aesthetic purposes on minor scratches, you can use textured spray paint with similar color.

STONEPARK WARRANTY
(50 Year Limited Warranty)

Stonepark Screw-On warranty is valid for 50 years from the date of purchase. Stonepark Screw-On will only warrant its products that is installed on structures which conform to local building codes and installed in accordance with the Stonepark Screw-On installation instructions. Only products manufactured by Stonepark Screw-On, and of which are determined to be defective, will be covered under this warranty. This warranty does not cover damages resulting from the following:

Improper Installation
Structure Settlement
Wall Movement
Surface discoloration due to air pollution or airborne contaminants
Direct contact with harmful chemicals and salt
Misuse or Abuse
Natural Disasters
Staining or Oxidation
Paint
Efflorescence
Normal Weathering of the Surface
(such as extreme weather conditions, overtime sun exposure)
Damage caused by pressure washers
Defective design or construction
Breakage caused by an impact during shipping/handling or installation
Premature deterioration of the boxes and stains/dirt on the product surface caused by poor storage.

Or any other causes that are out of the control of Stonepark Screw-On. This warranty covers only manufacturing defects manufactured by Stonepark Screw-On. Warranty coverage is limited to replacement of defective materials only. Stonepark Screw-On is not responsible for labor cost incurred during the removal and replacement of defective products. The products manufactured by Stonepark Screw-On, are not recommended for use in walkways, driveways, or any other ground surface and will not be covered by the warranty when used in these applications. Stonepark Screw-On warranty is limited to the original purchaser and may not be transferred.

Stonepark Screw-On reserves the right to make changes and/or discontinue any of its products without notice. If the product covered by warranty is no longer available a comparable product will be substituted at the manufacturer's sole discretion.

Please notify Stonepark Screw-On, if you feel the manufactured stone has a defect. If the product is determined to be defective, Stonepark Screw-On, will replace the defective stone. This warranty will apply to the manufactured stone products only and not the installation since Stonepark Screw-On has no control of the installation.



BOXING AND PACKAGING

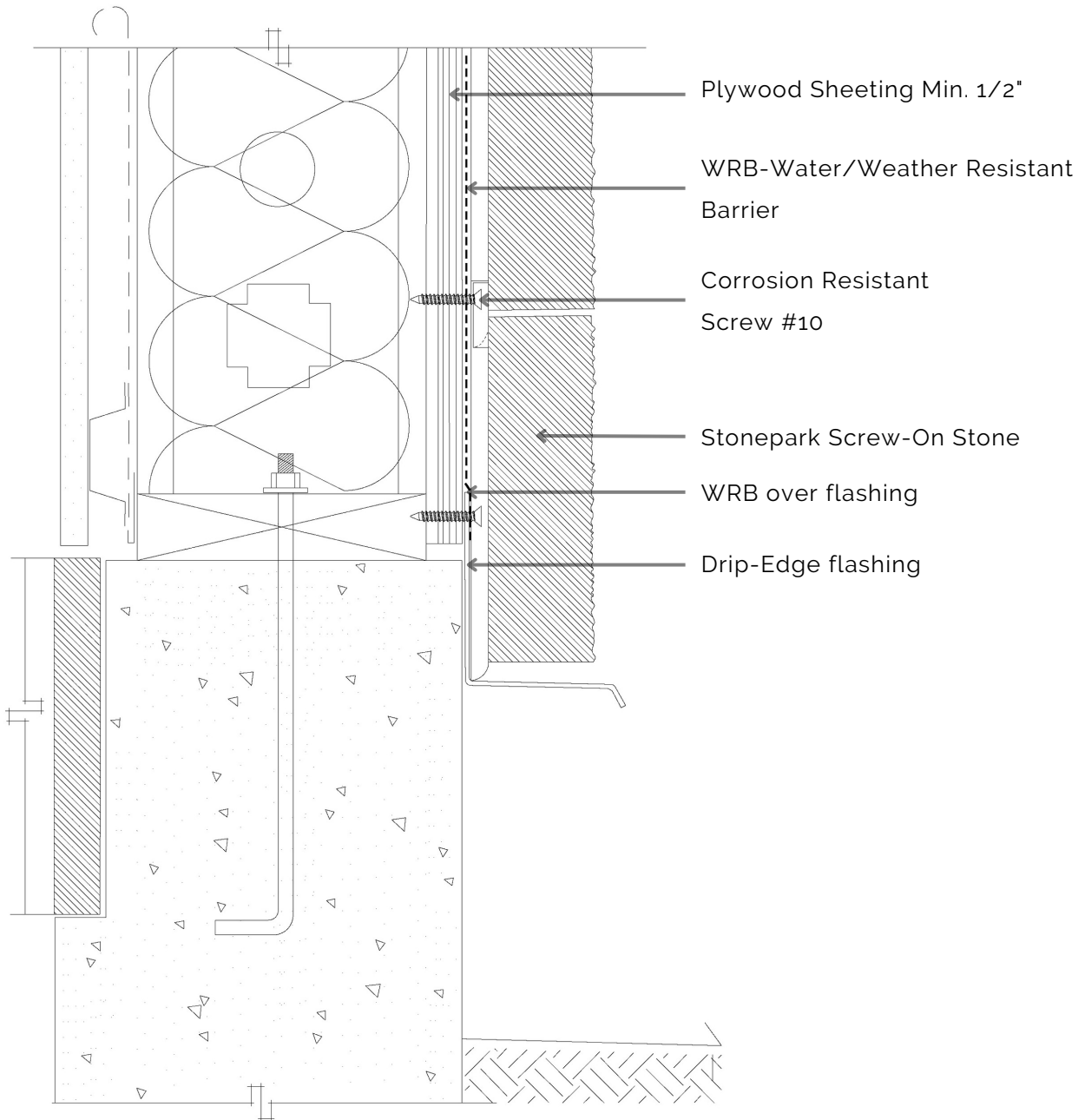
*Note: Due to some styles having different sizes, sqft may differ from approx. ± 0.50 -1.50 sqft
These are all approx. total weight may slightly vary.*

Stone Style	Flats (SQFT)	Weight (LBS)
Barnwood	108 sqft/ per skid 72 pc/per skid	15 lbs/per pc
Quickfit Ledge	84 sqft/ per skid 84 pc/per skid	12 lbs/per pc

*Minimum order;
-Barnwood: 72 sqft
-Quickfit Ledge: 56 sqft*

Note: In any circumstances if smaller quantity needed, please contact your dealer.

These details are to show examples of installing Stonepark Screw-On stones. Modification may be required as every project has different details and circumstances. Stonepark Inc is not responsible and liable for using these installation details.

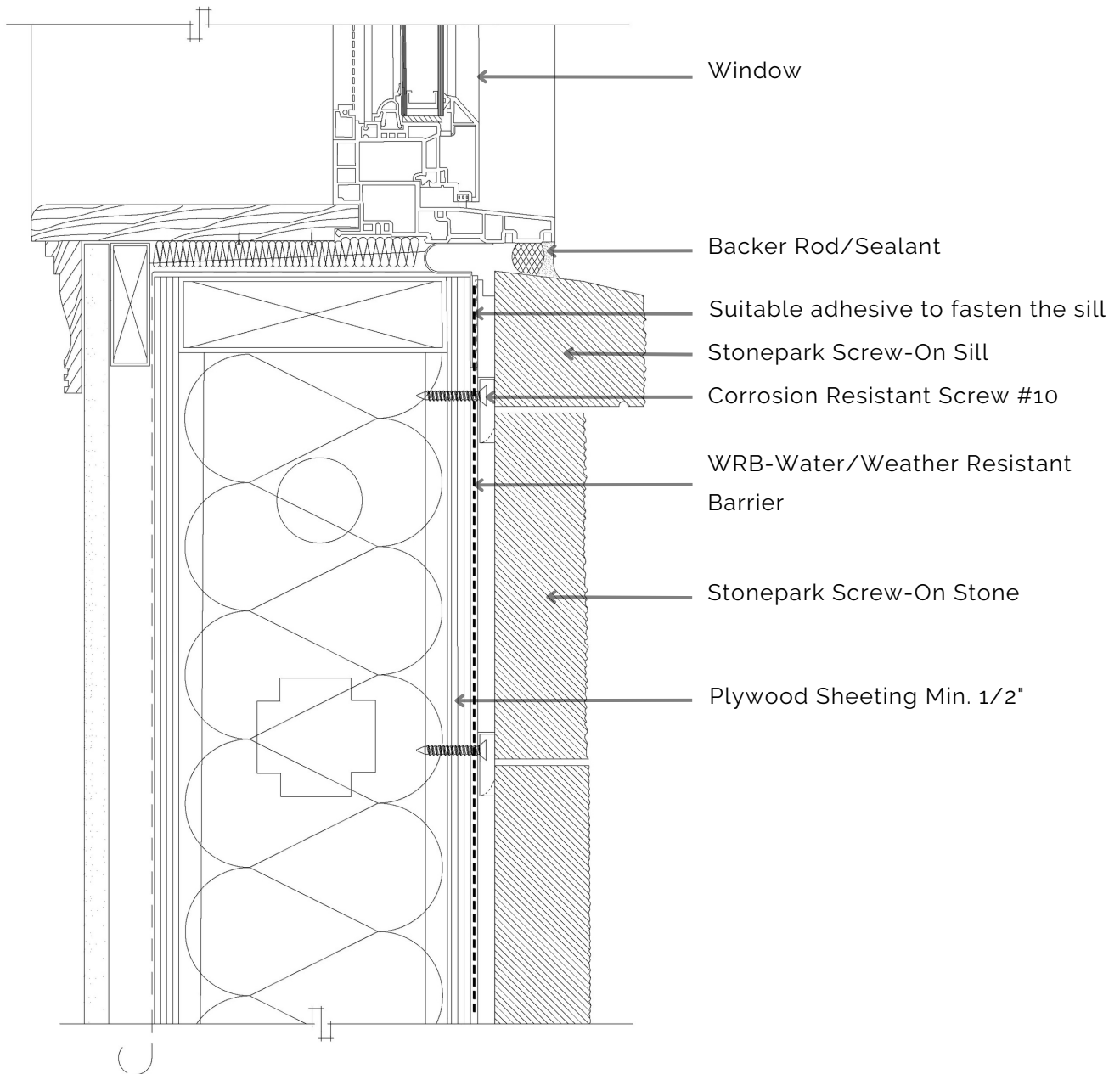


WOOD OR METAL STUDS WITH MIN. 1/2 PLYWOOD SHEATING

FOUNDATION WALL BASE

STONEPARK
SCREW-ON

These details are to show examples of installing Stonepark Screw-On stones. Modification may be required as every project has different details and circumstances. Stonepark Inc is not responsible and liable for using these installation details.

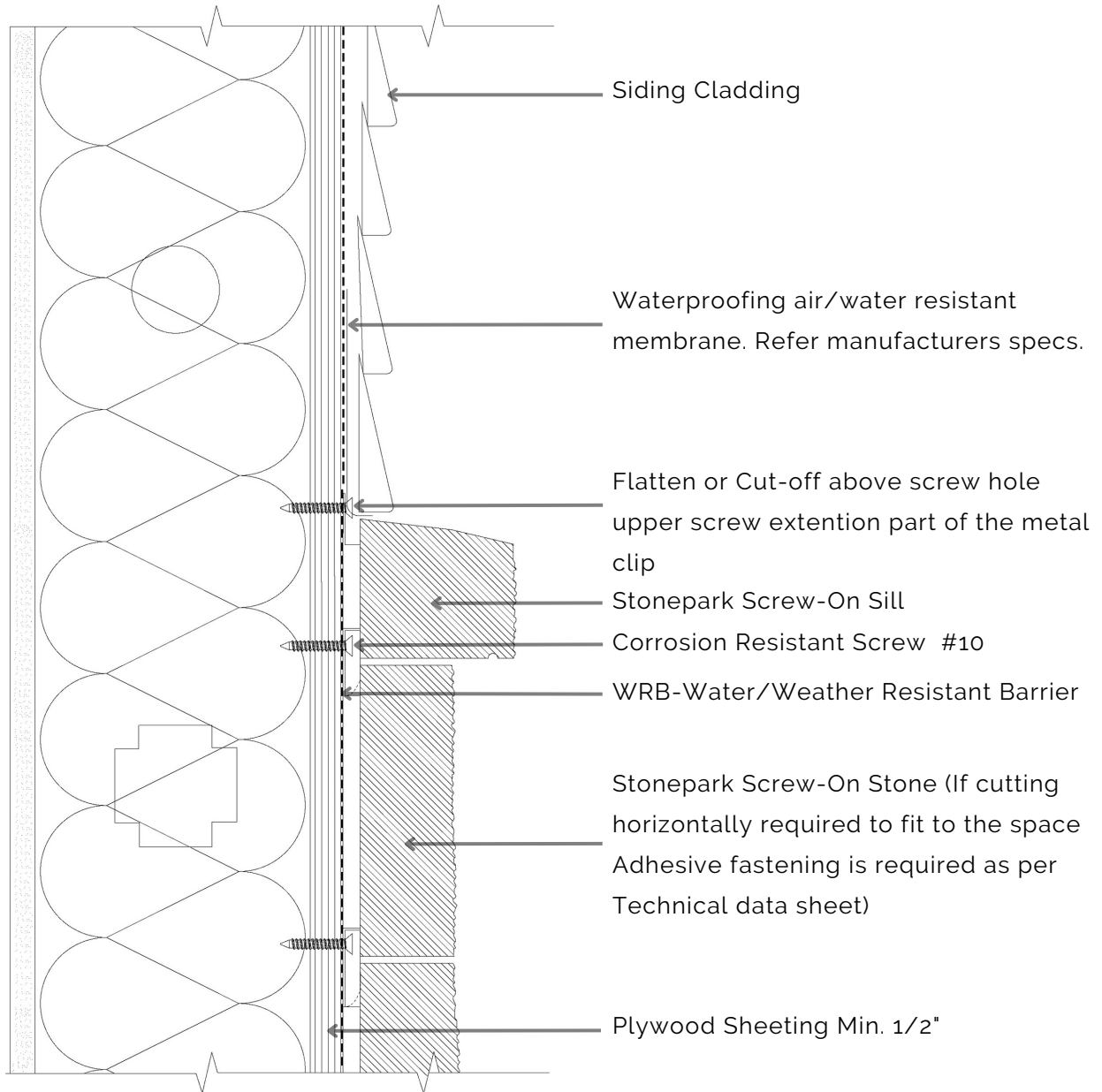


WOOD OR METAL STUDS WITH MIN. 1/2 PLYWOOD SHEATING

WINDOW SILL

STONEPARK
SCREW-ON

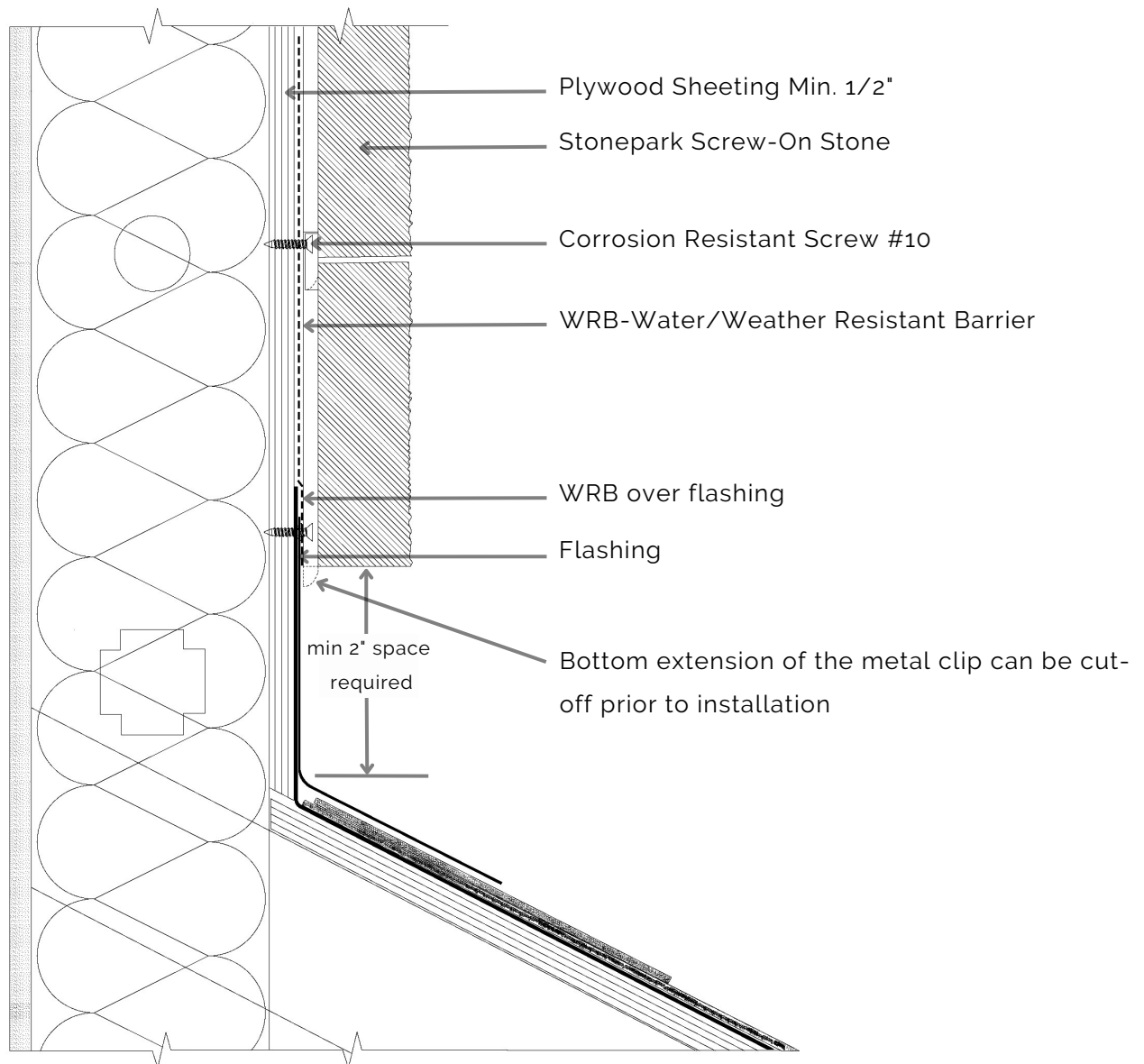
These details are to show examples of installing Stonepark Screw-On stones. Modification may be required as every project has different details and circumstances. Stonepark Inc is not responsible and liable for using these installation details.



WOOD OR METAL STUDS WITH MIN. 1/2 PLYWOOD SHEATING
 SIDING TANSITION WITH STONEPARK SCREW-ON SILL



These details are to show examples of installing Stonepark Screw-On stones. Modification may be required as every project has different details and circumstances. Stonepark Inc is not responsible and liable for using these installation details.

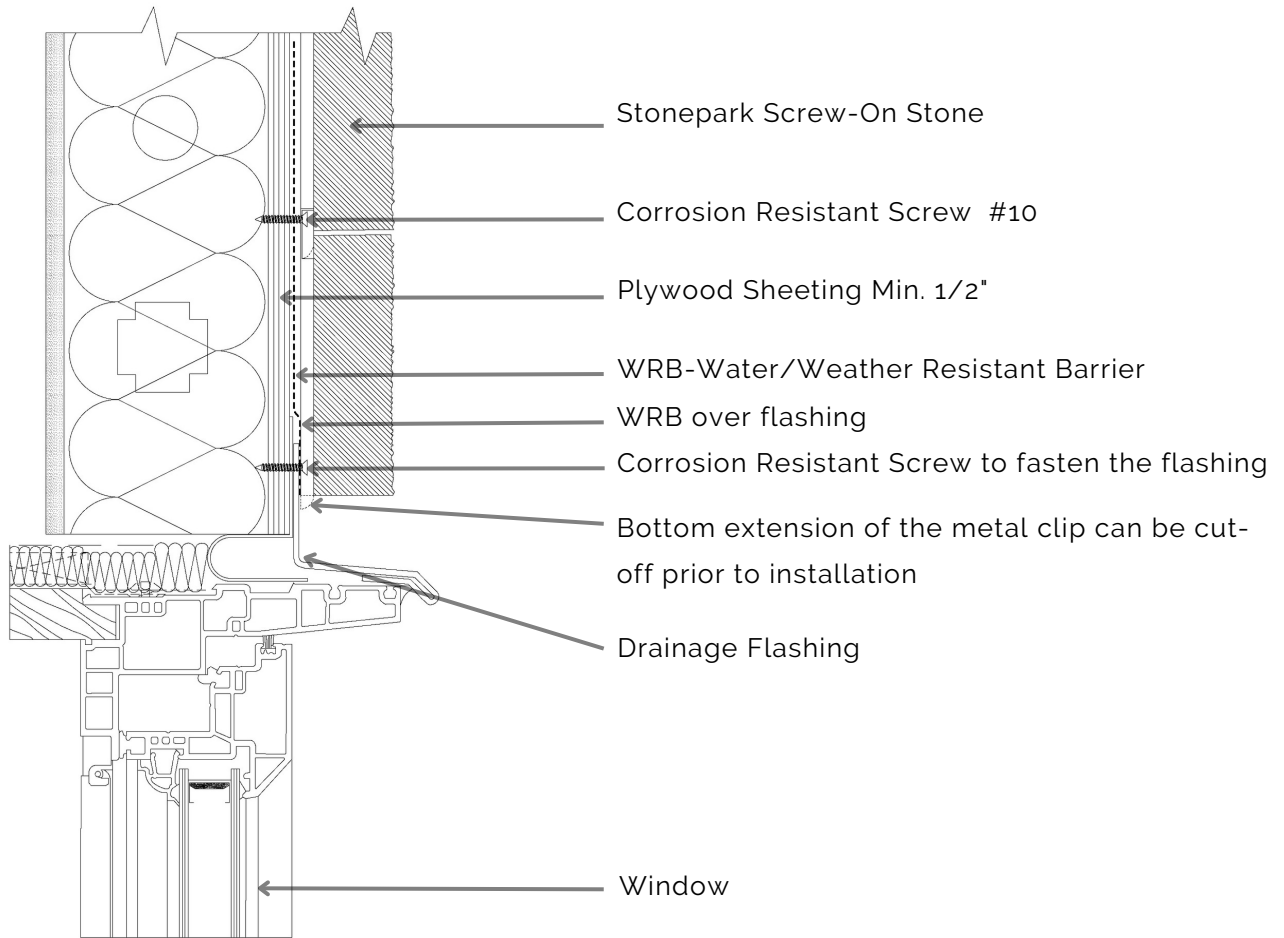


WOOD OR METAL STUDS WITH MIN. 1/2 PLYWOOD SHEATING

SLOPED ROOF

STONEPARK
SCREW-ON

These details are to show examples of installing Stonepark Screw-On stones. Modification may be required as every project has different details and circumstances. Stonepark Inc is not responsible and liable for using these installation details.

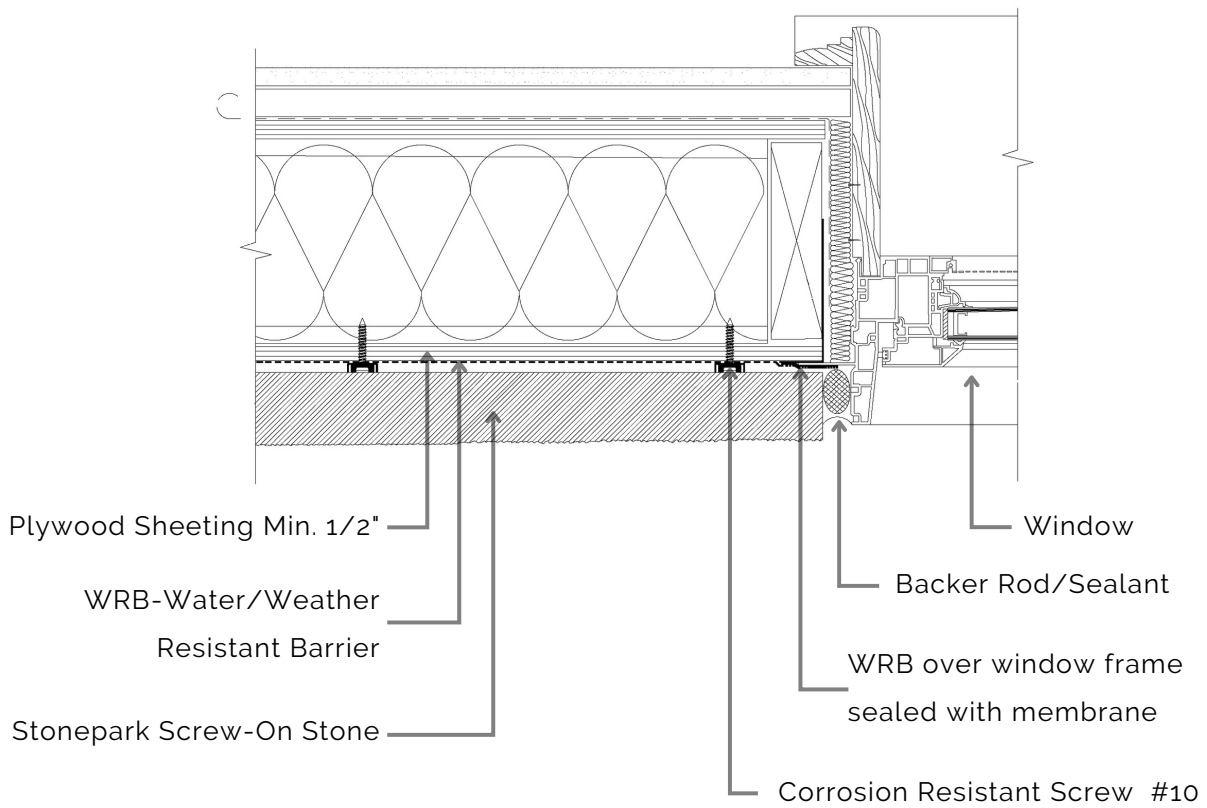


WOOD OR METAL STUDS WITH MIN. 1/2 PLYWOOD SHEATING

WINDOW HEAD

STONEPARK
SCREW-ON

These details are to show examples of installing Stonepark Screw-On stones. Modification may be required as every project has different details and circumstances. Stonepark Inc is not responsible and liable for using these installation details.

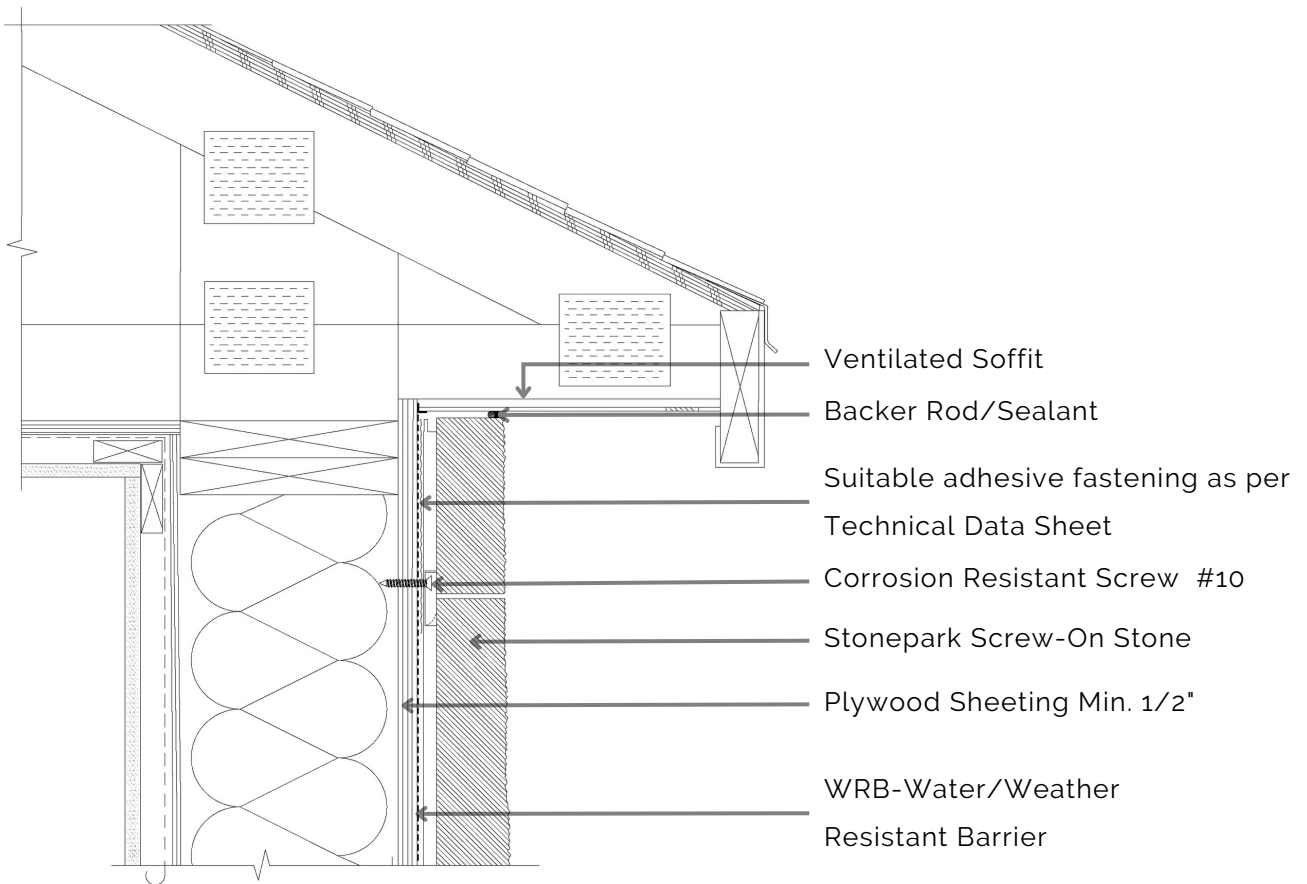


WOOD OR METAL STUDS WITH MIN. 1/2 PLYWOOD SHEATING

WINDOW JAMB

STONEPARK
SCREW-ON

These details are to show examples of installing Stonepark Screw-On stones. Modification may be required as every project has different details and circumstances. Stonepark Inc is not responsible and liable for using these installation details.

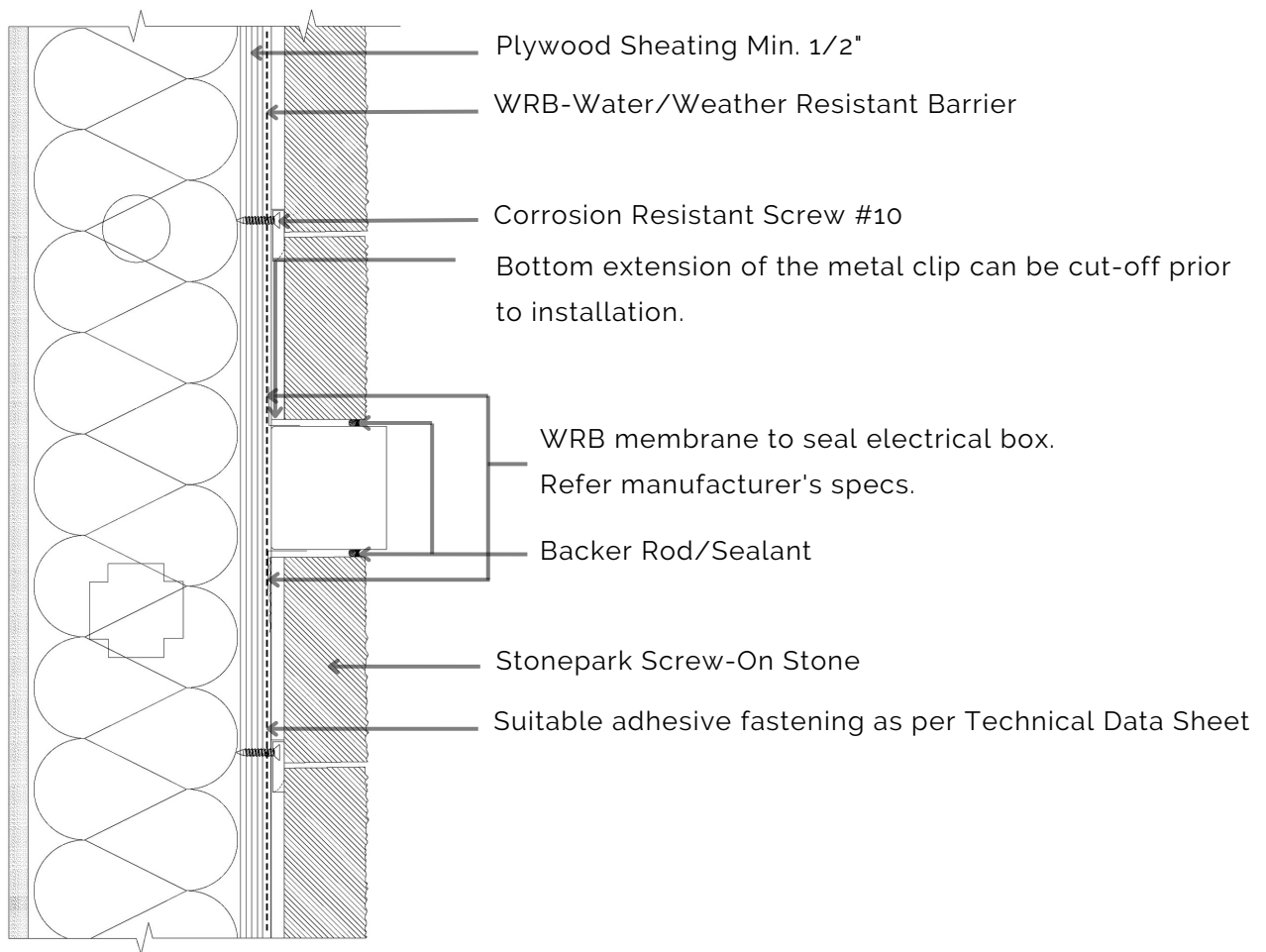


WOOD OR METAL STUDS WITH MIN. 1/2 PLYWOOD SHEATING

SOFFIT TERMINATION

STONEPARK
SCREW-ON

These details are to show examples of installing Stonepark Screw-On stones. Modification may be required as every project has different details and circumstances. Stonepark Inc is not responsible and liable for using these installation details.



WOOD OR METAL STUDS WITH MIN. 1/2 PLYWOOD SHEATING

ELECTRICAL BOX TERMINATION

STONEPARK
SCREW-ON